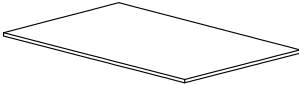
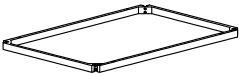
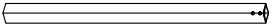
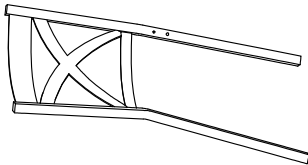
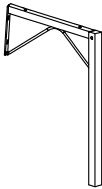
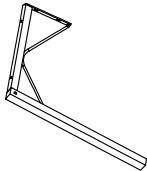


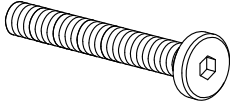
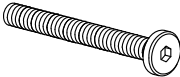

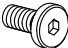


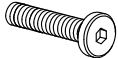


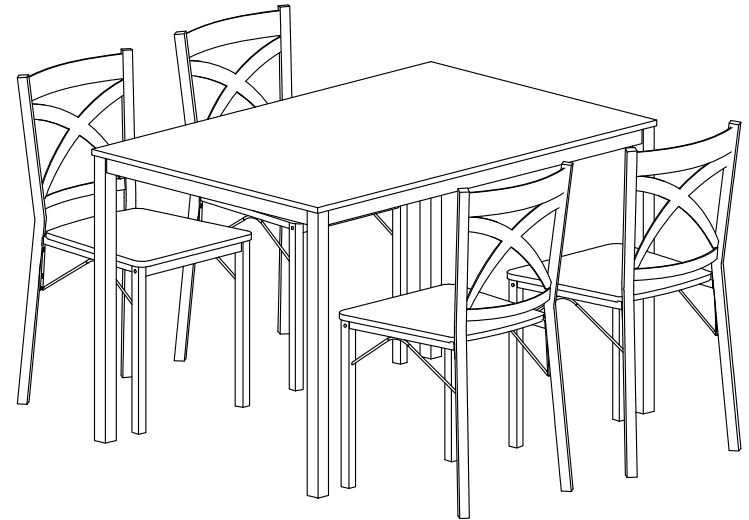
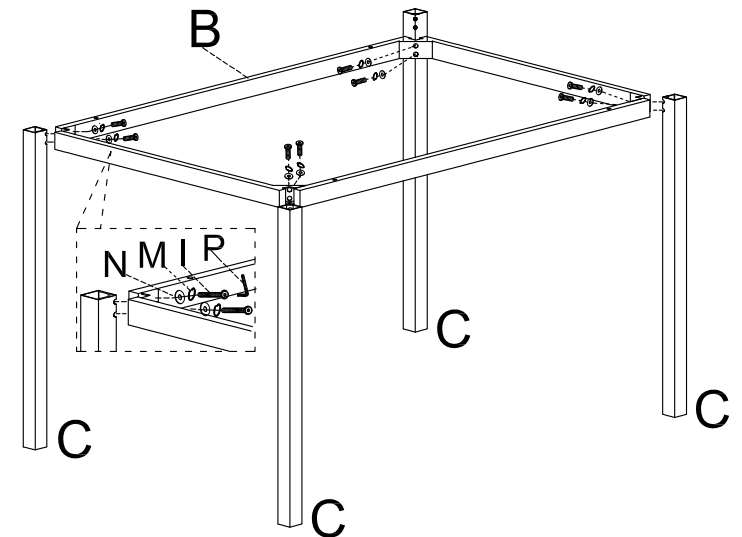


A		1PC	B		1PC
C		4PCS	D		4PCS
E		4PCS	F		4PCS
G		4PCS	H		4PCS
I	 M8×50mm	8PCS	J	 M6×50mm	4PCS
K	 M6×45mm	8PCS	L	 M6×12mm	16PCS
M		8PCS	N		8PCS
O	 M6×30mm	16PCS	P	 5mm	1PC
			Q	 4mm	1PC

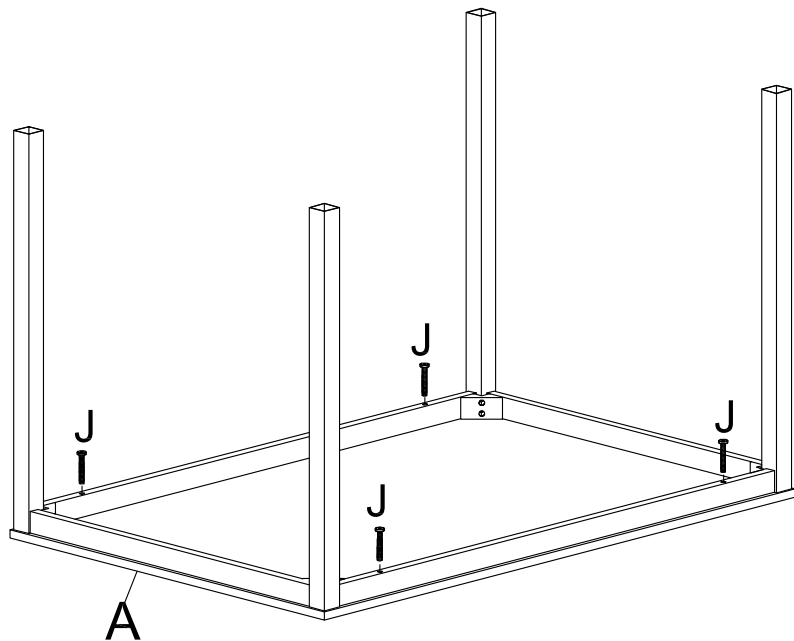
ASSEMBLY INSTRUCTION  
 \*\*\* DO NOT TIGHTEN SCREWS UNTIL COMPLETELY ASSEMBLED \*\*\*



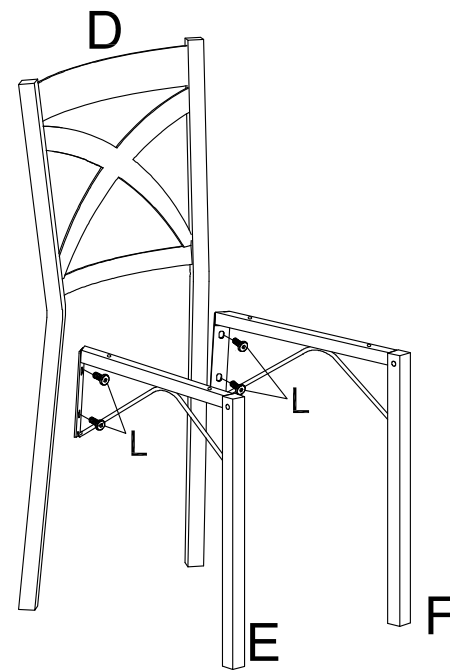
1



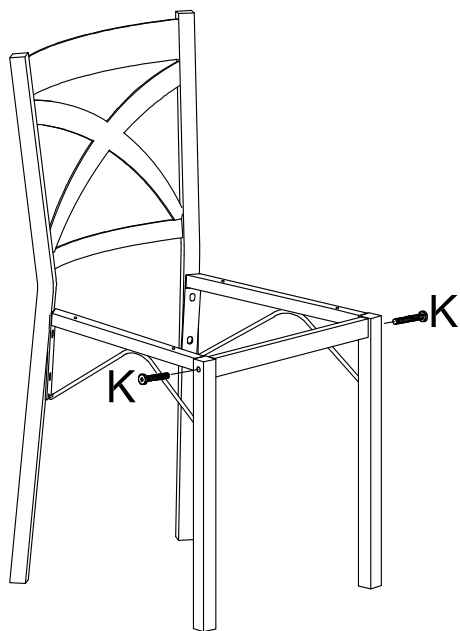
2



3



4



5

